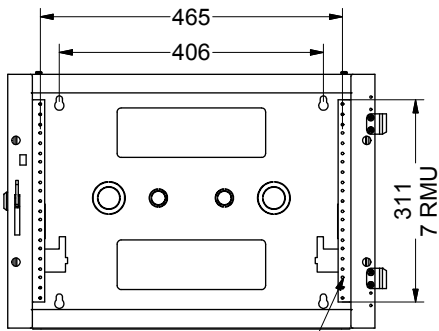
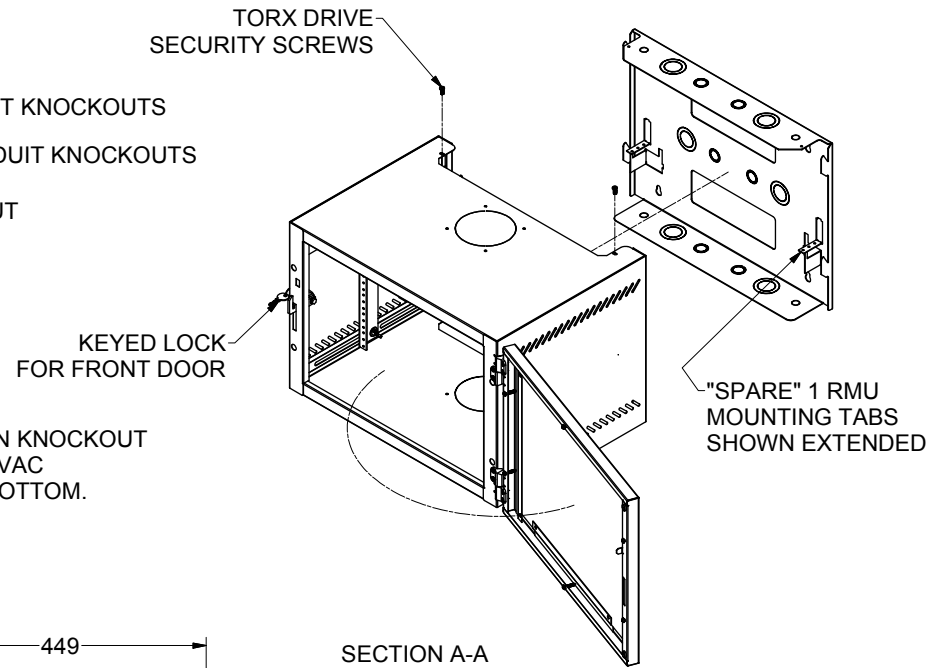
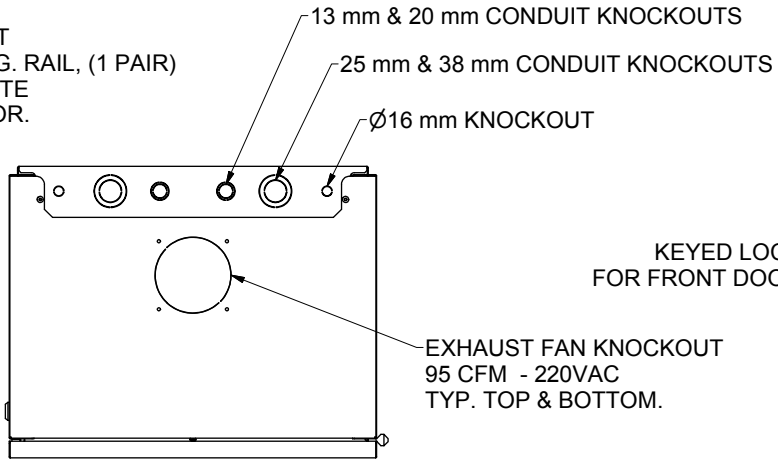




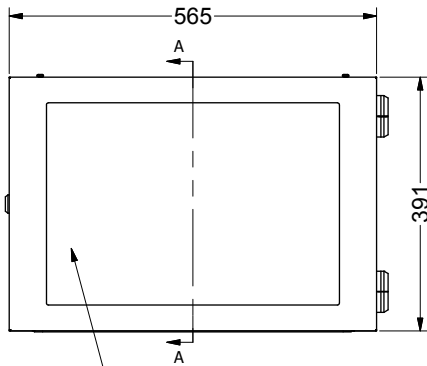
7WM Series Wall Mounts

CONSTRUCTION:

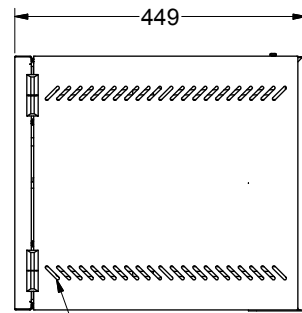
- FULLY WELDED MAIN BODY.
- DURABLE TEXTURE POWDER COAT
- 2.5mm THK. C.R.S. EQUIPMENT MTG. RAIL, (1 PAIR)
- 1.5mm THK. C.R.S. REAR WALL PLATE
- 1mm THK. C.R.S. MAIN BODY & DOOR.



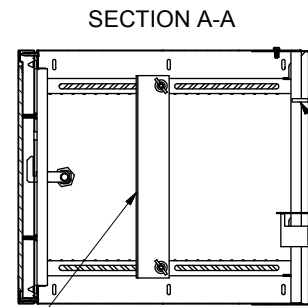
EIA SQ. MTG. HOLES FOR M6 CAGE NUTS



PLEXIGLAS DOOR SHOWN w/ OPTIONAL SOLID DOOR



SIDE VENTILATION



GROUND STUD M4x25 LG.

ADJUSTABLE EQUIPMENT RAILS