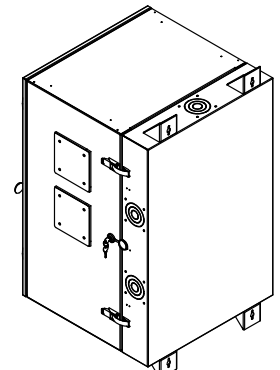
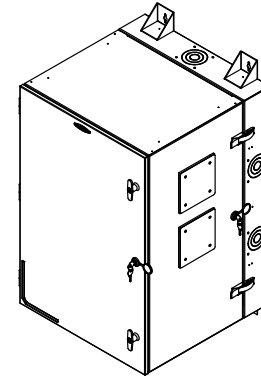
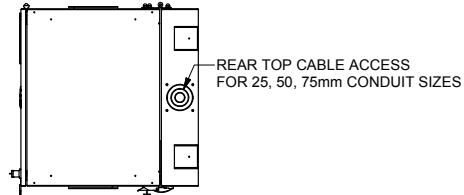
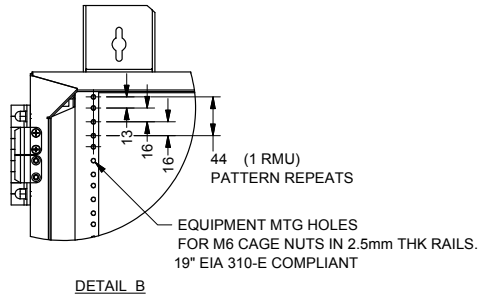


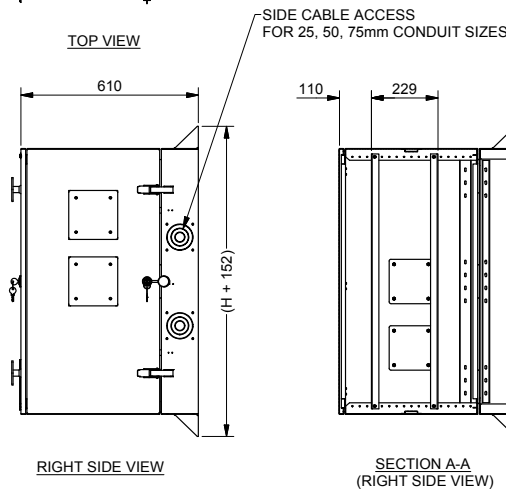
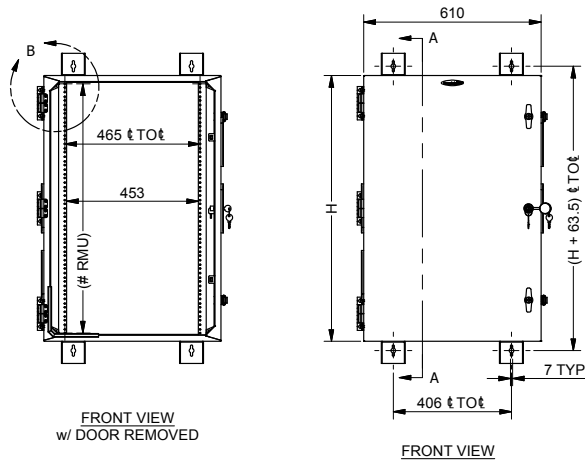


# IP 52 Wall Mount



FRONT - ISO

REAR - ISO



RIGHT SIDE VIEW

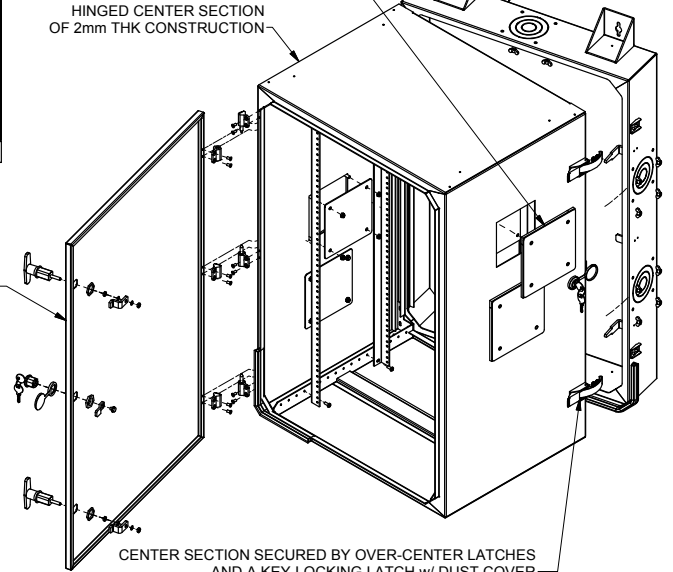
SECTION A-A (RIGHT SIDE VIEW)

M6 LAG SCREWS RECOMMENDED FOR MOUNTING INTO WALL STUDS

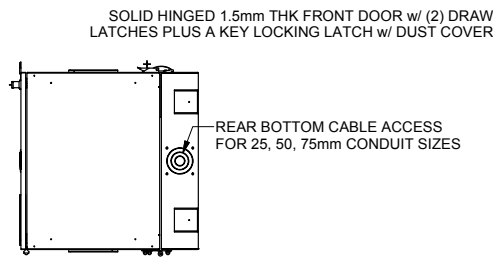
GLAND PLATES CAN BE REMOVED TO ADD OPTIONAL FANS OR FILTERS

HINGED CENTER SECTION OF 2mm THK CONSTRUCTION

REAR SECTION OF 2mm THK CRS CONSTRUCTION



CENTER SECTION SECURED BY OVER-CENTER LATCHES AND A KEY-LOCKING LATCH w/ DUST COVER



BOTTOM VIEW

**SPECIFICATIONS: NEMA-12 / IP52 WALL MOUNT**

**RATING :** INDEPENDENTLY TESTED & CERTIFIED, NEMA-250-1997 TYPE 12.

**RACK SPACES:** 19" EIA 310-E COMPLIANT - SEE CHART FOR RMU

**COLOR:** DURABLE BLACK TEXTURED POWDER COAT.

**CONSTRUCTION:** M6 CAGE NUT MOUNTING RAILS, 2.5mm THK. 2mm THK. CENTER BODY, 1.5mm THK. FRONT DOOR. ACCEPTS 25, 50, 75mm CONDUIT SIZES FOR CABLE ACCESS. FRONT DOOR & REAR SECTION LOCK INDEPENDENTLY.

PART NUMBER	(H) - HEIGHT	# RMU	WT CAPACIT	SHPG WT
GL12N12	610	12	68 kg	47 kg
GL19N12	914	19	113 kg	63 kg
GL26N12	1219	26	136 kg	79 kg